

INSTRUCTIONS FOR INSTALLING A LOWER DOOR HINGE ASSEMBLY REPLACEMENT KIT IN A NATIONAL VENDORS® , CROWN SEVENTY TWO® MERCHANDISER

CHECK THE PARTS RECEIVED IN THE KIT WITH THE PARTS LIST IN THESE INSTRUCTIONS. FIGURE 1 SHOWS ALL THE PARTS IN THE KIT. IF ANY PARTS ARE MISSING, CONTACT NATIONAL VENDORS' PARTS DEPARTMENT IMMEDIATELY.

These instructions cover the procedure for installing a Lower Door Hinge Assembly Replacement Kit in a 72 inch Merchandiser.

Read these instructions carefully and thoroughly before installing the kit. Retain these instructions for part number and installation information. These instructions apply to two different kits.

Lower Door Hinge Assembly Replacement Kit - Left Opening, part number 117-2257, contains the following parts:

Part Number	Description	Quantity
117-2037	Lower Door Hinge Assembly	1
424-2145	Lower Hinge Bearing	1
117-2256	Installation Instructions	1
	* * *	

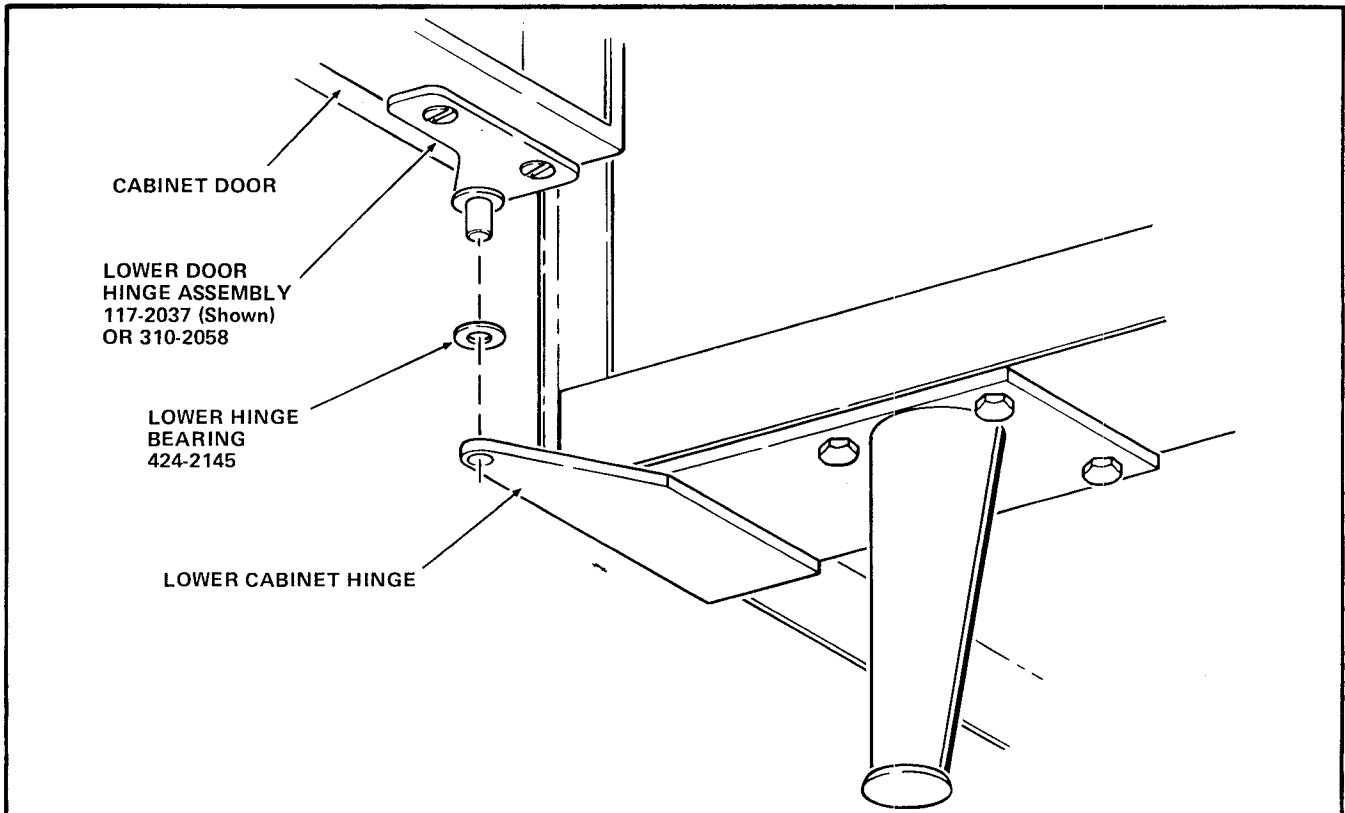
Lower Door Hinge Assembly Replacement kit - Right Opening, Part number 312-2207, contains the following parts:

Part Number	Description	Quantity
310-2058	Lower Door Hinge Assembly	1
424-2145	Lower Hinge Bearing	1
117-2256	Installation Instructions	1
	* * *	

TO INSTALL THE KIT

NOTE

Before removing the Cabinet Door from the Merchandiser, make sure that the Door Check is disconnected from the Cabinet Door (if the Merchandiser is so equipped) and that the Cabinet Harness is also completely disconnected from the Door.



FIGURE

WARNING

The Cabinet Door is extremely heavy and requires at least two men to lift and handle.

1. Remove the two Screws and Nuts attaching the Upper Door Hinge Assembly to the Cabinet Door.
2. Tilt the Cabinet Door and lift upward to remove the Door from the Merchandiser and carefully place the Cabinet Door face down on a level workspace.
3. Remove two attaching Screws and Nuts and the defective Lower Door Hinge Assembly from the Cabinet Door.
4. Using the Screws and Nuts removed in Step 3, install the replacement Lower Door Hinge Assembly, part number 117-2037 or 310-2058, on the Cabinet Door. See Figure.
5. Place the Lower Hinge Bearing included in the kit, part number 424-2145, on the Lower Cabinet Hinge, aligning the hole in the Bearing with the hole in the Hinge. See Figure.
6. Install the Cabinet Door on the Merchandiser, inserting the Bushing of the Lower Door Hinge Assembly through the holes in the Lower Hinge Bearing and Lower Cabinet Hinge. The Bearing should be positioned between the Lower Door Hinge Assembly and the Lower Cabinet Hinge. See Figure.
7. Attach the Upper Door Hinge Assembly to the Cabinet Door with the Screws and Nuts removed in Step 1.